

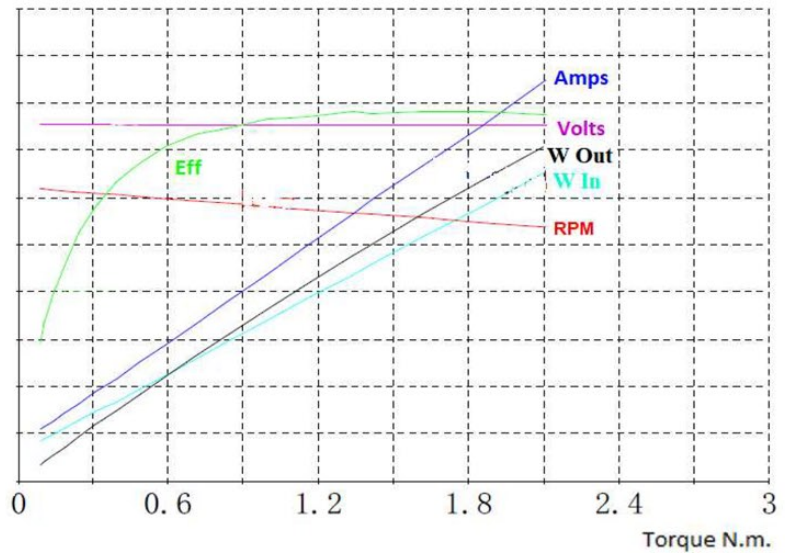
Model: MM3390FC/NV

Description: MaxMotion 0.33HP, 1750RPM, 90VDC, TEFC/NV, 56C

Tester: 01

Test Date: 2018.11.09

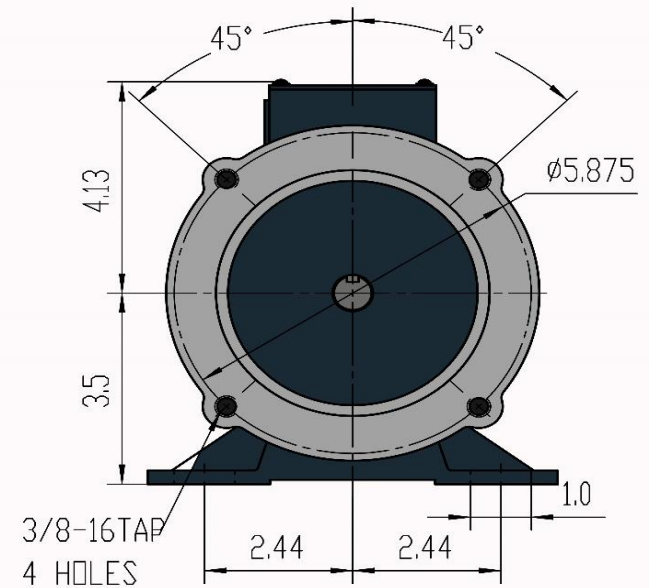
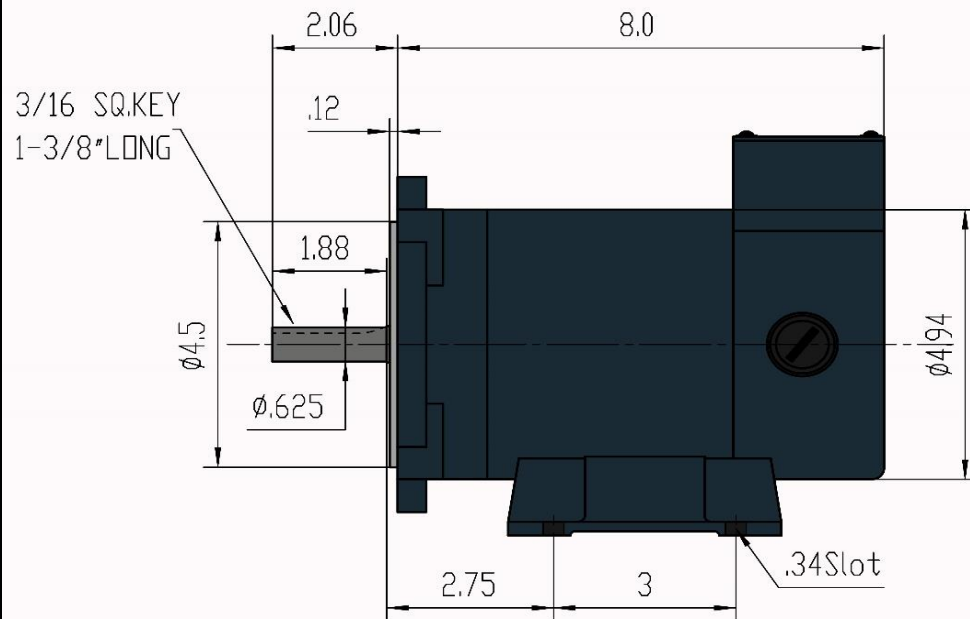
V	A	W In	RPM	W out	Eff.%
120	6	700	3000	500	100
108	5.4	630	2700	450	90
96	4.8	560	2400	400	80
84	4.2	490	2100	350	70
72	3.6	420	1800	300	60
60	3	350	1500	250	50
48	2.4	280	1200	200	40
36	1.8	210	900	150	30
24	1.2	140	600	100	20
12	0.6	70	300	50	10
0	0	0	0	0	0



Measured Points	V	A	Input Watts	N.m.	RPM	Output Watts	%
No Load	90.41	0.653	59.11	0.088	1853	17.22	29.1%
Rated	90.24	3.565	321.7	1.411	1691	250	77.6%
Efficiency Max.	90.2	4.514	407.2	1.855	1639	318.4	78.1%
Max. Kw Output	90.16	5.09	458.9	2.112	1608	355.5	77.4%
Max. Torq. Output	90.16	5.09	458.9	2.112	1608	355.5	77.4%
End	90.16	5.09	458.9	2.112	1608	355.5	77.4%

Load	Measure	V	A	Input Watts	N.m.	RPM	Output Watts	Eff %
6.9%	1	90.41	0.653	59.11	0.088	1853	17.22	29.1%
8.2%	2	90.41	0.683	61.83	0.106	1851	20.62	33.3%
10.9%	3	90.4	0.761	68.87	0.14	1846	27.21	39.5%
14.3%	4	90.39	0.865	78.24	0.185	1841	35.77	45.7%
18.7%	5	90.39	0.983	88.92	0.243	1834	46.77	52.6%
23.6%	6	90.37	1.129	102.0	0.309	1826	59.11	57.9%
29.9%	7	90.36	1.3	117.5	0.393	1816	74.76	63.5%
36.5%	8	90.34	1.501	135.6	0.482	1804	91.19	67.2%
44.2%	9	90.33	1.728	156.1	0.589	1790	110.4	70.7%
52.7%	10	90.31	1.989	179.7	0.708	1777	131.8	73.3%
62.1%	11	90.29	2.297	207.4	0.842	1760	155.3	74.8%
72.4%	12	90.28	2.616	236.2	0.991	1743	180.9	76.6%
83.0%	13	90.27	2.976	269.7	1.148	1725	207.4	77.1%
95.4%	14	90.24	3.382	305.2	1.339	1701	238.5	78.1%
100.0%	15	90.24	3.565	321.7	1.411	1691	250.0	77.7%
100.0%	16	90.24	3.565	321.7	1.411	1691	250.0	77.6%
113.0%	17	90.22	4.004	361.3	1.614	1671	282.4	78.1%
127.4%	18	90.2	4.514	407.2	1.855	1639	318.4	78.1%
142.2%	19	90.16	5.09	458.9	2.112	1608	355.5	77.4%

# MaxMotion



Customer is responsible in determining that MaxMotion product will fit/performance suitably in the intended application

Version: 1NIN

Revised: April 2020

HP	RPM	Voltage	Amps	Const.	Frame	Insul.	Torque	P. Code	Wgt lbs	Rated
0,33	1750	90Vdc	5,1	TENV	56C	Class H	11.9 in/lbs	K (SCR)	23	IP45

**MM3390NV**

# DC PERMANENT MAGNET MOTOR

HEAVY GAUGE ROLLED STEEL CONSTRUCTION | TENV TOTALLY NON-VENTILATED & TEFC TOTALLY ENCLOSED FAN COOLED SCR RATED, 90VDC, 180VDC

MaxMotion

## Applications:

For use with SCR rated single phase DC variable speed controls used in conveyors, pumps, packaging equipment and many other applications where economical precise speed control is required.



## Features:

**Design** - SCR Rated

**Construction** - Rolled Steel, NEMA C-Face Footed with Removable Base

**Agency listings and standard** - NEMA, UL Recognized and CSA Certified, RoHS Compliant

**Service Factor** - 1.0

**IP Rating** - IP45

**Insulation** - Class F Insulation

**Speed Range** - 20:1 Constant Torque, Linear Speed/Torque Characteristics over entire speed range

**Voltage** - 90V & 180V

**Bearings** - Permanently Lubricated High quality Double Shielded Ball Bearings

**Brushes** - Oversized for Extra Long Life, Easy brush access with Unique brush Holder

**Enclosure Protection** - (TEFC) Totally Enclosed Fan Cooled & (TENV) Totally Enclosed Non-Ventilated

**Duty** - Continuous

**Warranty** - 18 Months

# DC PERMANENT MAGNET MOTOR

HEAVY GAUGE ROLLED STEEL CONSTRUCTION | TENV TOTALLY NON-VENTILATED & TEFC TOTALLY ENCLOSED FAN COOLED SCR RATED, 90VDC, 180VDC



HP	FL RPM	VOLTS	FRAME	CAT NO.	CONSTRUCTION	ENCLOSURE	NOM EFF.	F.L. AMPS	DE BEARING	NDE BEARING	WT (Lbs)	"C" Dimension (Inch)
0.25	1773	90	56C	MM2590NV	ROLLED STEEL	TENV	76.70%	2.05	6203	6203	21	8
	1773	90	56C	MM2590FC	ROLLED STEEL	TEFC	76.70%	2.05	6203	6203	21	9.6
	1717	180	56C	MM2518NV	ROLLED STEEL	TENV	71.90%	2.55	6203	6203	21	8
	1717	180	56C	MM2518FC	ROLLED STEEL	TEFC	71.90%	2.55	6203	6203	21	9.6
0.33	1691	90	56C	MM3390NV	ROLLED STEEL	TENV	77.70%	5.1	6203	6203	23	8
	1691	90	56C	MM3390FC	ROLLED STEEL	TEFC	77.70%	5.1	6203	6203	23	9.6
	1687	180	56C	MM3318NV	ROLLED STEEL	TENV	69.90%	2.55	6203	6203	23	8
	1687	180	56C	MM3318FC	ROLLED STEEL	TEFC	69.90%	2.55	6203	6203	23	9.6
0.5	1702	90	56C	MM5090NV	ROLLED STEEL	TENV	81.90%	6.28	6203	6203	25	8.88
	1702	90	56C	MM5090FC	ROLLED STEEL	TEFC	81.90%	6.28	6203	6203	25	10.4
	1752	180	56C	MM5018NV	ROLLED STEEL	TENV	81.40%	3.14	6203	6203	25	8.88
	1752	180	56C	MM5018FC	ROLLED STEEL	TEFC	81.40%	3.14	6203	6203	25	10.4
0.75	1651	90	56C	MM7590FC	ROLLED STEEL	TEFC	83.90%	9.82	6203	6203	30	11.45
	1675	180	56C	MM7518FC	ROLLED STEEL	TEFC	84.00%	4.9	6203	6203	30	11.45
1	1739	90	56C	MM1090FC	ROLLED STEEL	TEFC	84.00%	12.7	6203	6203	33	12.24
	1739	180	56C	MM1018FC	ROLLED STEEL	TEFC	84.70%	6.4	6203	6203	33	12.24
1.5	1793	180	56C	MM1518FC-56C	ROLLED STEEL	TEFC	83.30%	7.86	6203	6203	45	14.39
	1793	180	145TC	MM1518FC	ROLLED STEEL	TEFC	83.30%	7.86	6305	6305	45	13.8
2	1751	180	56C	MM2018FC-56C	ROLLED STEEL	TEFC	82.80%	10.4	6305	6305	55	14.75
	1751	180	145TC	MM2018FC	ROLLED STEEL	TEFC	82.80%	10.77	6305	6305	55	14.8
3	1814	180	145TC	MM3018FC	ROLLED STEEL	TEFC	82.50%	18.6	6305	6305	70	16.9

